

Care and Feeding of Telex Radio Dispatch Systems
IP-2002, C-6200, IP-223

Introduction

Welcome

Dave Grant / dave@manoneng.com
425.827.7449

2/26/2009

Page 1 of 15 radio



Care and Feeding of Telex Radio Dispatch Systems

IP-2002, C-6200, IP-223

Introduction

- Dave Grant – K7DRG
- Manon Engineering, Kirkland, over 30 years in the Wireless Industry
- Manufacturers Rep for Bosch Security Systems, Telex Radio Dispatch Systems
- Telex introduced RoIP more than 7 years ago with C6200 and IP-223
- Full Line of Hard and Soft Consoles for applications requiring Radio Dispatch

Dave Grant / dave@manoneng.com
425.827.7449

2/26/2009

Page 2 of 15 radio



Care and Feeding of Telex Radio Dispatch Systems

IP-2002, C-6200, IP-223

Introduction

- What are we going to cover
 - Networking Overview
 - IP Console and Radio Adapter Features
 - System Maintenance
 - Hardware and Network Setup

Dave Grant / dave@manoneng.com
425.827.7449

2/26/2009

Page 3 of 15 radio



Care and Feeding of Telex Radio Dispatch Systems

IP-2002, C-6200, IP-223

Network Terminology

Ethernet 100BaseT Network

- Addressing, MAC Address, IP Address, Multicast Address, Netmask
 - MAC Address : 00-13-CE-09-F7-3B
 - Routable IP Address : 207.244.156.63
 - Non-Routable IP Address : 192.168.0.1, 10.0.1.1, 169.254.0.0
 - Multicast Address : 224.0.0.0 – 239.255.255.255
 - Netmask : 255.255.255.0
 - TCP/UDP Ports are in the range of 1054-65535

Dave Grant / dave@manoneng.com
425.827.7449

2/26/2009

Page 4 of 15 radio



Care and Feeding of Telex Radio Dispatch Systems

IP-2002, C-6200, IP-223

Network Terminology

- Data Packets, TCP/IP, UDP/IP, Header, Payload, Unicast, Multicast
 - TCP/IP : Connection based, guaranteed delivery
 - UDP/IP : No Connection, no delivery guarantee
 - Header Data
 - Payload Data
 - Unicast
 - Multicast

Dave Grant / dave@manoneng.com
425.827.7449

2/26/2009

Page 5 of 15 radio



Care and Feeding of Telex Radio Dispatch Systems

IP-2002, C-6200, IP-223

Network Terminology

- Buffering, Latency, Jitter
 - Buffering is required in RoIP
 - Latency is a part of life in Networks
 - Jitter is a result of varying latency
 - Packet Flow
 - Vocoding

Dave Grant / dave@manoneng.com
425.827.7449

2/26/2009

Page 6 of 15 radio

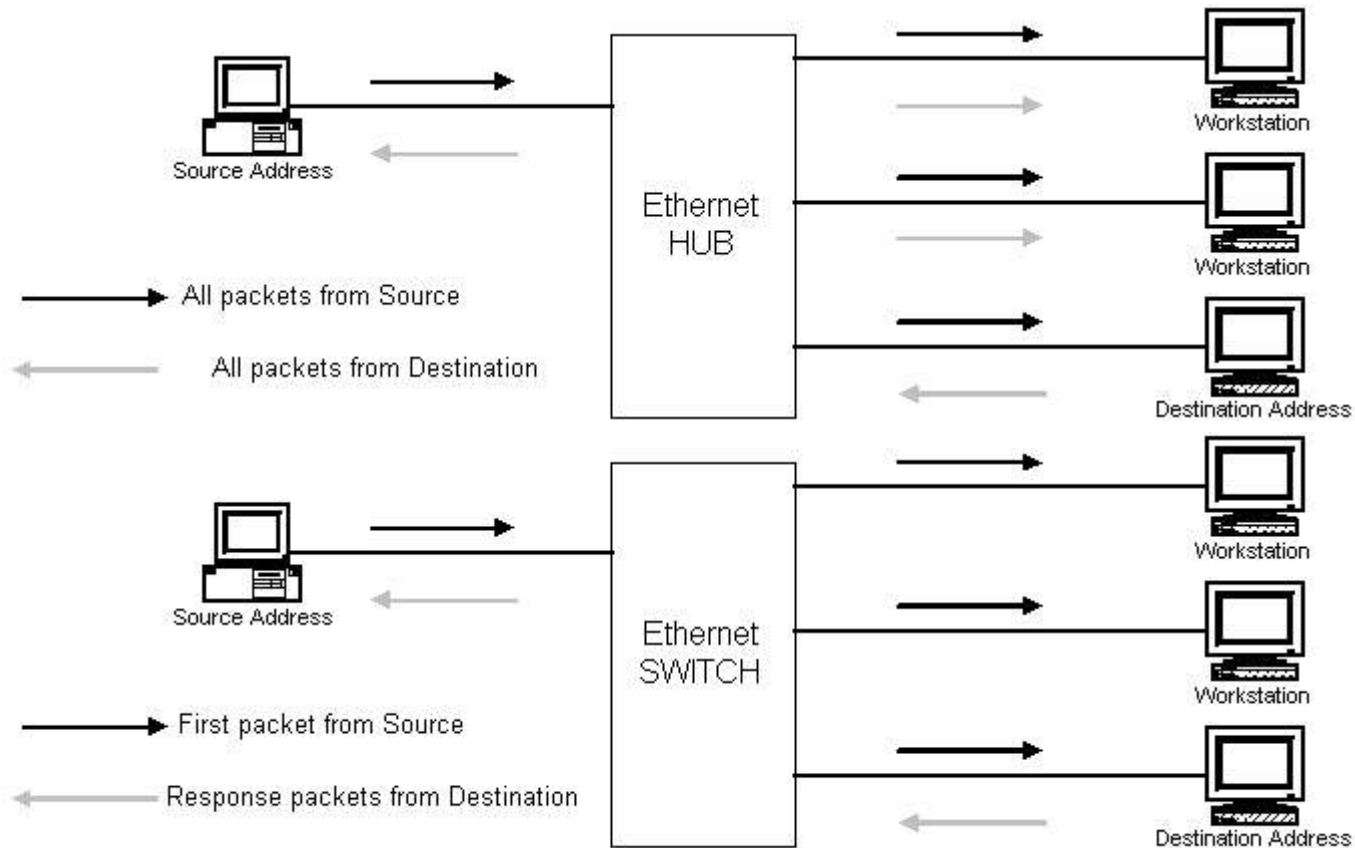


Care and Feeding of Telex Radio Dispatch Systems

IP-2002, C-6200, IP-223

Network Terminology

Difference between a HUB and a Switch



Dave Grant / dave@manoneng.com
425.827.7449

2/26/2009

Page 7 of 15 radio

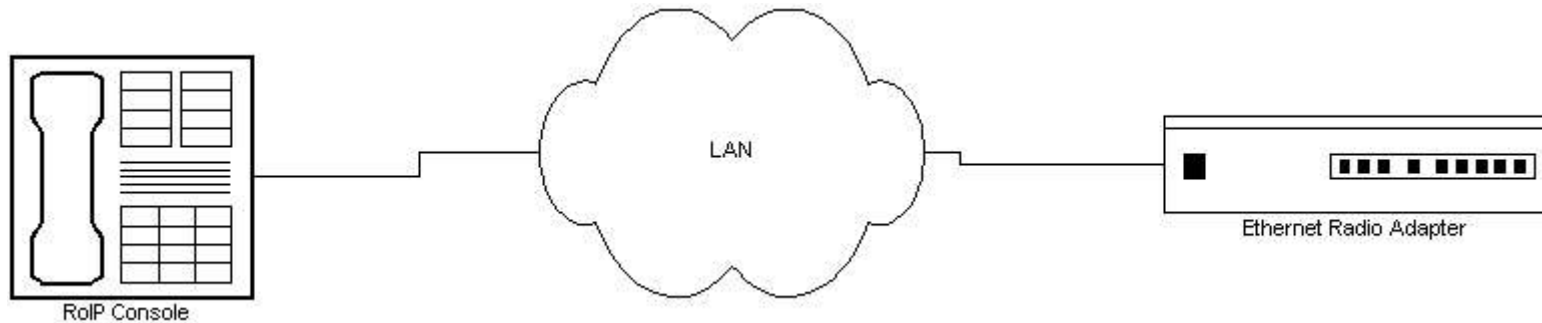


Care and Feeding of Telex Radio Dispatch Systems

IP-2002, C-6200, IP-223

Network Topology

Simple LAN Example



- Rolled cable
- Local Network device

Dave Grant / dave@manoneng.com
425.827.7449

2/26/2009

Page 8 of 15 radio

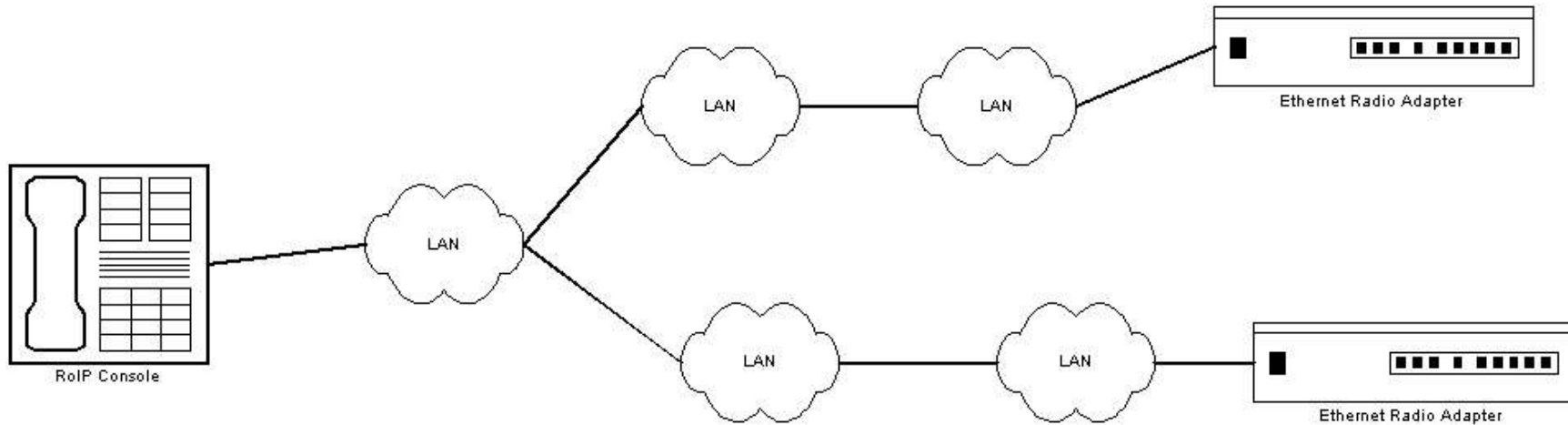


Care and Feeding of Telex Radio Dispatch Systems

IP-2002, C-6200, IP-223

Network Topology

Complex LAN Example



- Multiple Subnets in a single location

Dave Grant / dave@manoneng.com
425.827.7449

2/26/2009

Page 9 of 15 radio

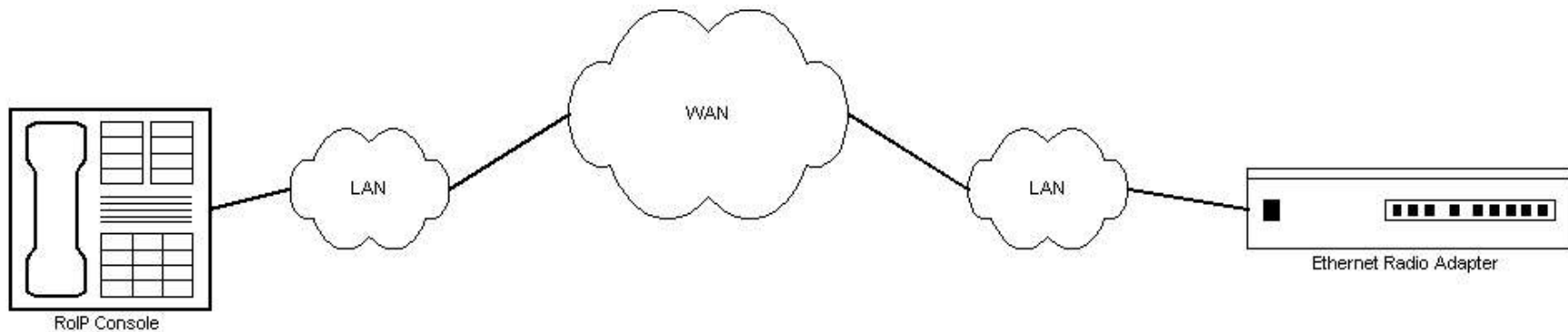


Care and Feeding of Telex Radio Dispatch Systems

IP-2002, C-6200, IP-223

Network Topology

WAN Example



- Private Inter-Office Network
- Secure 3rd Party Transport Network
- The Internet

Dave Grant / dave@manoneng.com
425.827.7449

2/26/2009

Page 10 of 15 radio



Care and Feeding of Telex Radio Dispatch Systems

IP-2002, C-6200, IP-223

IP-2002

IP-2002 Features

- Half or Full Duplex Per Line
- Four Alert Tone Cadence
- 2 Line VF Display
- Crossmute Per Line (Ethernet)
- TX Microphone Notch Filter
- Instant Recall Recorder
- Crosspatch
- Paging
- Web Browser Configured
- Radio Scan Control
- Channel Control
- MDC ANI Display (with IP-223)
- FleetSync ANI Display (with IP-223)
- Clock and VU Meter
- Summed Audio Recorder Output
- Phone Line Control
- TSM Firmware Upgradable
- Call History
- Call List

Dave Grant / dave@manoneng.com
425.827.7449

2/26/2009

Page 11 of 15 radio



Care and Feeding of Telex Radio Dispatch Systems

IP-2002, C-6200, IP-223

C-6200

C-6200 Features

- Programmable single or dual function tones
- 16-frequency control
- Two-or four-wire(field programmable with optional line cards), local, and E&M
- Simplex/full duplex operation (field programmable)
- Programmable squelch control
- Crossmute (hardwire)
- Parallel console update
- Paging (multiple formats)
- Instant Recall Recorder (IRR)
- Telex System Manager (TSM):

Dave Grant / dave@manoneng.com
425.827.7449

2/26/2009

Page 12 of 15 radio



Care and Feeding of Telex Radio Dispatch Systems

IP-2002, C-6200, IP-223

C-6200

C-6200 Controls

- Monitor, intercom, PTT button
- Up to four alert tones
- Crosspatch up to three groups
- Group select, three pre-determined groups.
- Supervisory control
- 16-digit DTMF keypad
- Volume controls
- Parallel TX LED detect
- Channel selection
- Instant PTT
- Auxiliary up to four buttons
- Four programmable buttons
- Paging

Dave Grant / dave@manoneng.com
425.827.7449

2/26/2009

Page 13 of 15 radio



Care and Feeding of Telex Radio Dispatch Systems

IP-2002, C-6200, IP-223

IP-223

IP-223 Features

Multiple types of communications interfaces IP, two-wire, four-wire, iDEN, local control, PSTN

Seven functional modes available in every device

- Local – Direction Connection to any radio
- Tone – Generate standard radio control tones
- Console – Bridge IP into a legacy tone control system
- Crosspatch/Repeater – Directly patch resources without the need for a console
- Phone – Connect a standard POTS phone via the TDI
- iDEN – Connect an iDEN device to the dispatch network via the NI-223
- TETRA – Control a TETRA radio resource

Dave Grant / dave@manoneng.com
425.827.7449

2/26/2009

Page 14 of 15 radio



Care and Feeding of Telex Radio Dispatch Systems

IP-2002, C-6200, IP-223

IP-223

Enhanced Crosspatch capabilities:

- Line-to-line crosspatch – Enable and disable via DTMF strings.
- Start/Stop Function Tone Line-to-Line Crosspatch – Designated function tones have the ability to automatically set up and knock down line-to-line crosspatches within the device.
- Dial – Remote user with portable radio can key a DTMF string, causing IP-223 to take the TDI-223 off-hook, dial a preprogrammed phone number and establish a patch between the devices via DTMF strings.
- Dial VoIP – Remote user with portable radio can key DTMF string, causing IP-223 to join different multicast group and port-mapping the IP to a different channel.
- Phone Patch - Remote user with portable radio can key a DTMF string, causing IP-223 to take the TDI-223 off-hook. The user can then manually dial a phone number.
- Multiple Vcoders - Per Line Vocoder Type – Ability to select lower bandwidth Vocoder

Dave Grant / dave@manoneng.com
425.827.7449

2/26/2009

Page 15 of 15 radio

